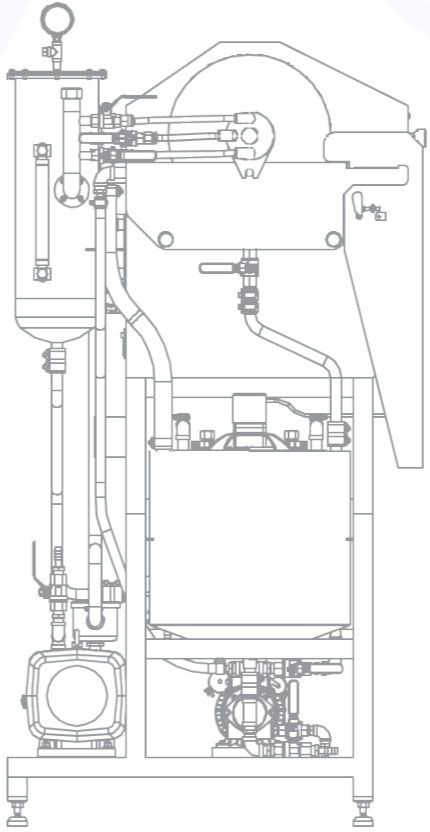


ROTAVAC Lab

Laboratory Scale Filter



Clarity Through Engineering

For more information, please contact Filtration Services:

Unit 5, Sutton Mill, Byrons Lane, Macclesfield, Cheshire, SK11 7JL, United Kingdom

Phone: +44 (0) 1625 616 109

Fax: +44 (0) 1625 434 678

Email: info@filtrationservices.co.uk

Website: www.filtrationservices.co.uk



Clarity Through Engineering

ROTAVAC Lab

Laboratory Scale RDVF

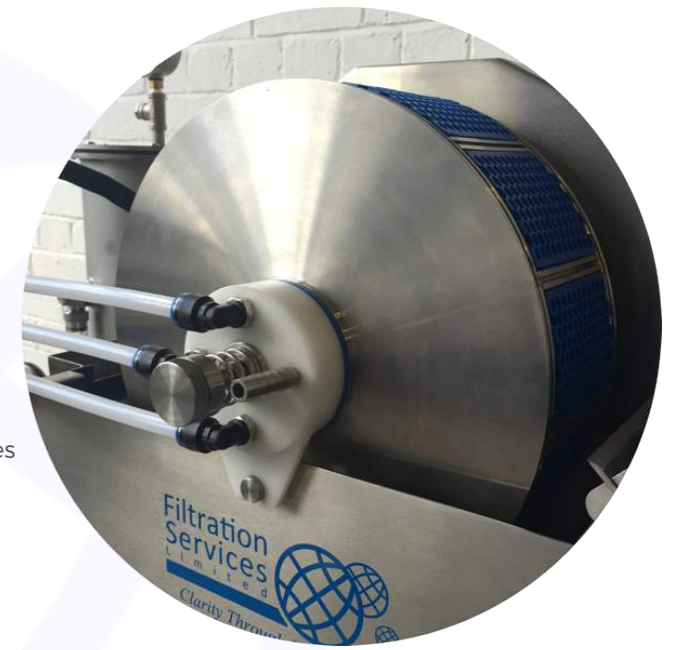
The laboratory scale rotary drum vacuum filter (RDVF) is used for product evaluation tests or as a preliminary step towards pilot and full scale equipment trials.

This unit is a fully functional and representative small scale rotary drum vacuum filter.

It can be used to validate the suitability of this type of continuous vacuum filtration equipment.

- Stainless steel construction
- Scale-up trials
- Filter media evaluation
- Validation Tests
- Precoat automatic knife advance system (AKAS)
- Precoat optimisation
- Separation efficiencies
- Filtration flux rate profiles

- 0.1m² filtration area
- 12 compartment drum
- Variable speed drum drive
- 35% submergence filter trough
- Variable speed reciprocating agitator
- Interchangeable precoat and scraper discharge assemblies



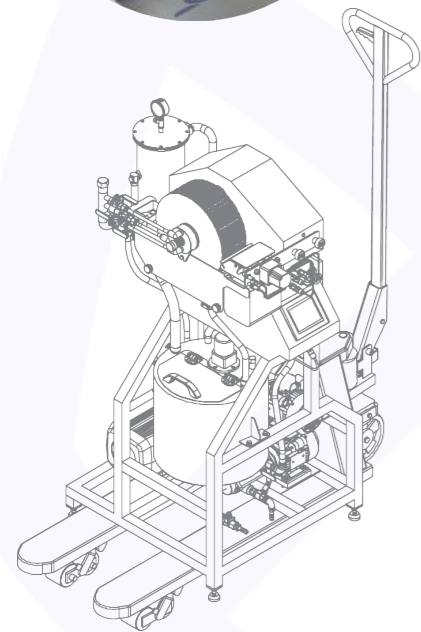
- Positive displacement filtrate pump
- Filtrate receiver with level control and sightglass
- Positive displacement feed pump
- 35 litre feed/precoat tank with 3 speed mixer
- Dry vane vacuum pump
- Compact design



- Integrated control system with touch screen interface
- User friendly
- Easy to operate
- Direct flux rate measurement



- Overall dimensions H 1670mm x W 940mm x D 740mm
- Unit weight only 200kg
- Easy cleaning and maintenance
- Low voltage drum agitator and mixer drives
- Mains input 240V / 50Hz / 13A / 1ph



Filtration Services Limited have years of experience working with solid-liquid separation processes

